

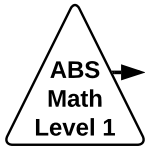


2020-21 Transfer Degree Math Paths

for students planning to transfer to a 4-year institution

"Level" refers to Math Placement Level

****Click on the course number to link to the course description.**



MTH 015
Level 4

Quantitative Reasoning

STEM

Support Courses

MTH 001 Adjust My Placement

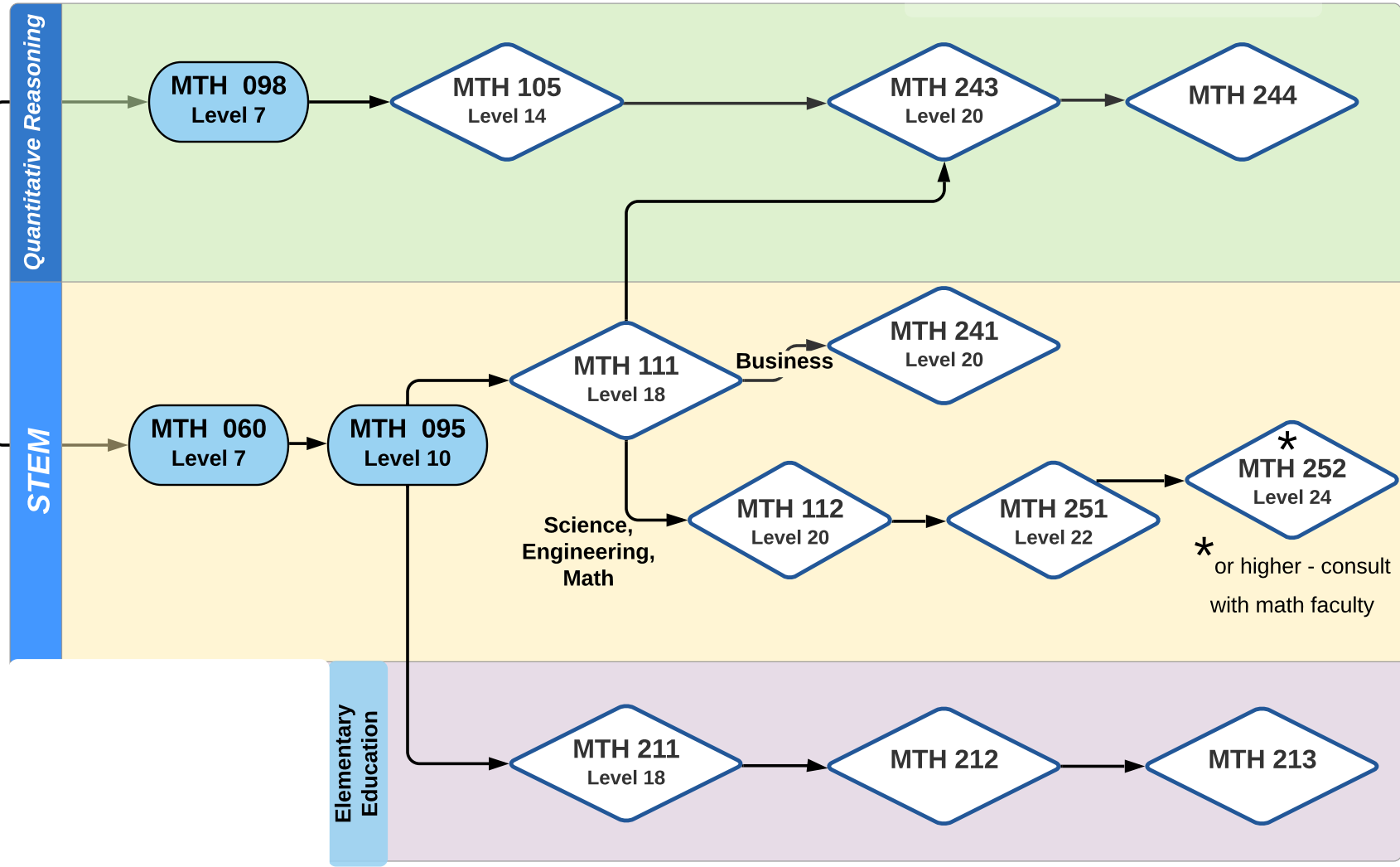
MTH 029 Fraction Review



Developmental (non-transferrable)

Transferrable Math Courses

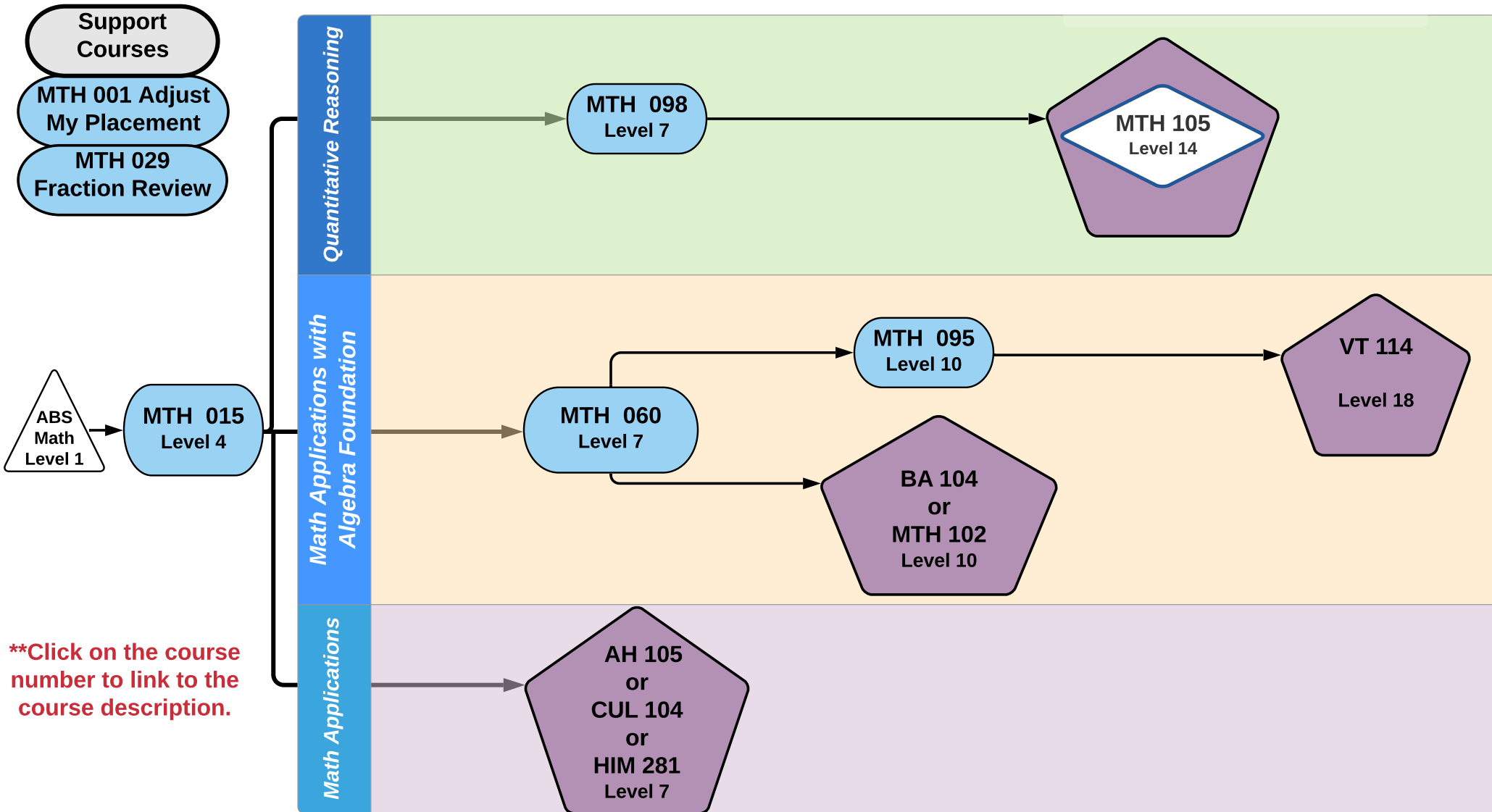
Questions? Talk with your advisor, a math faculty member or email mathplacement@cooc.edu



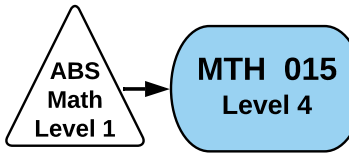
2020-21 Career and Technical Program Computation Paths

for students planning to finish their CTE degree/certificate at COCC

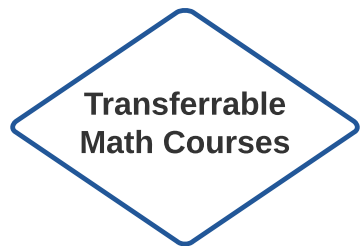
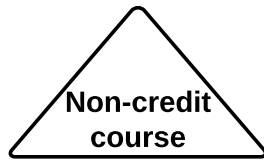
"Level" refers to Math Placement Level



- Support Courses**
- MTH 001 Adjust My Placement
 - MTH 029 Fraction Review



****Click on the course number to link to the course description.**



Questions? Talk with your advisor, a math faculty member or email mathplacement@cocc.edu